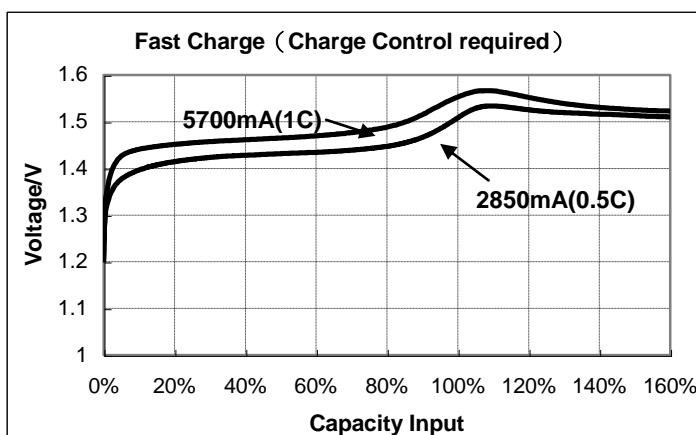
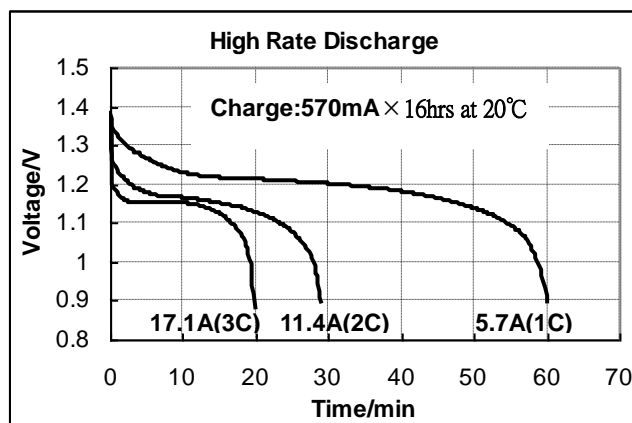
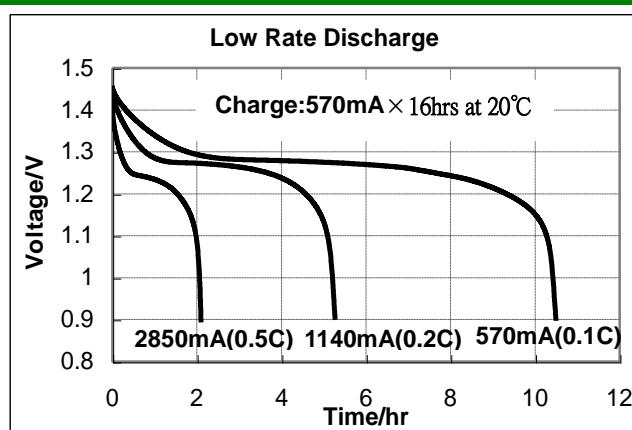
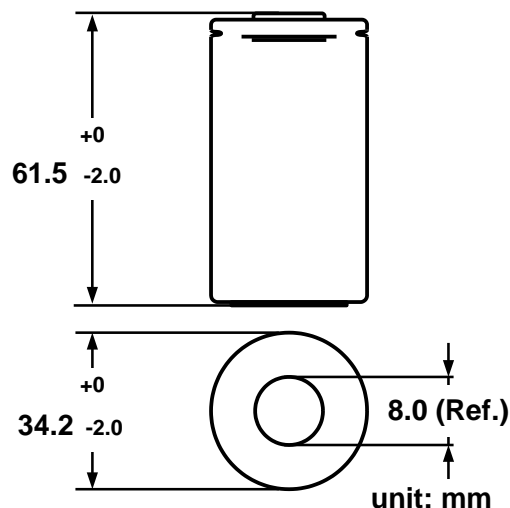


Type	: Rechargeable Nickel Metal Hydride Cylindrical Cell
Nominal Dimension (with Sleeve)	: $\Phi = 34.2\text{mm}$ H = 61.5mm
Applications	: Recommended discharge current 570mA to 5.7A
Nominal Voltage	: 1.2V
Capacity	: Rated: 5700mAh Typical: 5700mAh When discharged at 1.14A to 1.0V at 20 °C
Charging Condition	: 570mA for 16hrs at 20°C
Charge Retention	: 80% of nominal capacity after cell storage at 20°C for 24months When discharged at 1.14A to 1.0V at 20 °C
Fast Charge	: 2850mA to 5700mA (0.5 to 1C) charge termination control recommended control parameters: - ΔV : 0-5mV DT/dt : 0.8°C/min (0.5 to 0.9C) 0.8 - 1°C/min (>1C) TCO : 45 - 50°C Timer : 105% nominal input (for ref. only)
Service Life	: >1000 cycles (IEC standard)
Continuous Overcharge	: 570mA maximum current for 1 year. No conspicuous deformation and/or Leakage
Weight	: 124g
Internal Resistance	: Average 4m Ω upon fully charged (Max.10m Ω) at 1000Hz
Max. Charging Voltage	: 1.5V at 570mA charging
Ambient Temperature Range	: Standard Charge : 0 to 45°C Fast Charging : 10 to 45°C Discharge : -20 to 50°C Storage : -20 to 30°C

Model No.: **570DHCB**



The information (subject to change without prior notice) contained in this document is for reference only and should not be used as a basis for product guarantee or warranty. For applications other than those described here, please consult your nearest GP Sales and Marketing Office or Distributors.

MRS6063 rev02